

All rights reserved by **CNH Industrial**.

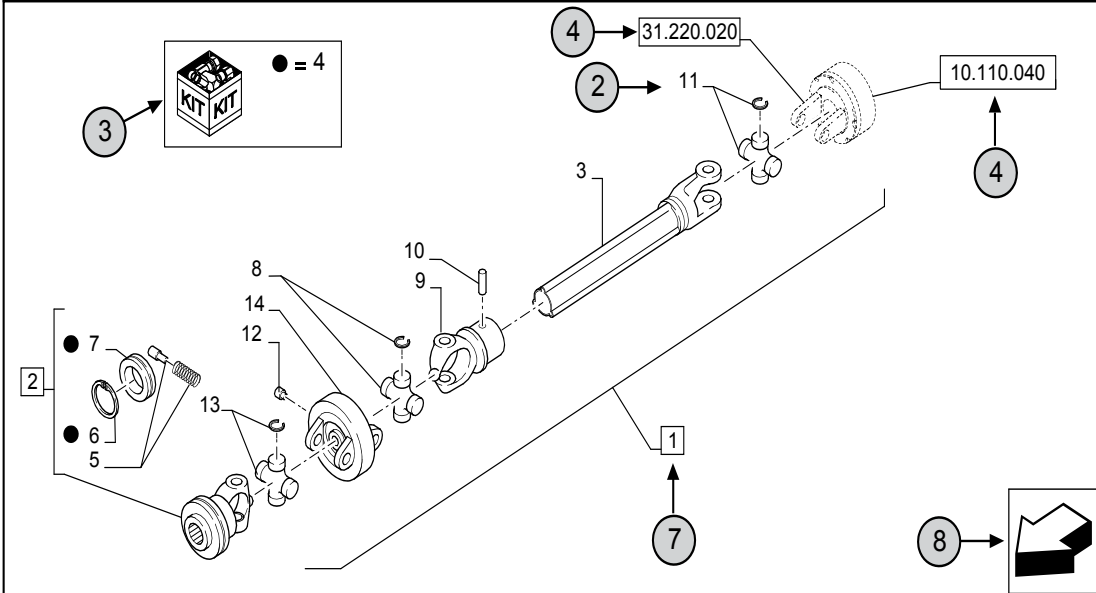
The information contained in this catalogue is intended to be of a general nature only. **CNH Industrial** may at any time and from time to time, for technical or other necessary reasons, modify any of the details or specifications of the product described in this catalogue.

To be sure of getting accurate, detailed and up-to-date information, an intending buyer should consult his nearest **CNH Industrial** dealer or distributor.

Single item numeration method used in this catalogue may not be used without written consent from **CNH Industrial**

| | | | |
|------------|----|----|---------|
| 31.220.010 | 01 | p1 | 10/2014 |
|------------|----|----|---------|

VAR - 123782, 789101,987654 - PTO - D650



STANDARD ← (6)

| | | | | | | |
|------|-----|------|------------|----|----|---------|
| (23) | (9) | (10) | 31.220.010 | 01 | p1 | 10/2014 |
|------|-----|------|------------|----|----|---------|

VAR - 123782, 789101,987654 - PTO - D650

(11) (12) (13) (14)

| REF | FN | PART NUMBER | YR/SN | QTY | DESCRIPTION |
|-----|------|--------------------------|-------|------|--|
| 1 | 1 | 86529340 | (20) | 1 | SHAFT PTO, Incl 2 - 11 |
| 2 | (15) | 84014007 | | 1 | YOKE, Incl 4 - 7 ← (7) |
| 3 | (16) | NSS | | 1 | NOT SERVICED SEPARATELY, SHAFT, 350mm, Incl in 1 |
| 4 | | 84004292 | | 1 | KIT, Seal Kit, Incl 6, 7 (17) |
| 4 | | {84058743} | | 1 | KIT, Seal Kit, Incl 6, 7 |
| (2) | (18) | (19) | | (21) | (22) |
| | | 1 = FOR ITALY ONLY ← (5) | | | |

MODELS ← (1)


- 1 Model Number and Model Description
- 2 Reference - Figure call-out of the part number.
- 3 Parts supplied in repair kits per symbol reference.
- 4 31.220.020 Part illustrated on the **Page** or in the **Figure** indicated, or calls for **Variations** or **Details**. Indicates components shown in detail elsewhere in the catalogue under the figure number shown.
- 5 Footnote references
- 6 Figure notes
- 7 1 2 Includes item(s) (See Description within partlist).
- 8 Orientation. (Arrow indicates front of the machine). 
- 9 Figure description.
- 10 General information of the figure.
- 11 Figure title number that aligns with the SRT. Standard Repair Time.
- 12 **Sequence** code within the assembly.
- 13 Page number within the sequence code.
- 14 **Date** of printing or updating of page (month-year).
- 15 **Note** - Relating to the Part Number. There is a key to symbols and abbreviations at the bottom of the text page.
- 16 Non-serviced parts.
- 17 Further description of the part to help confirm identification.
- 18 Not available as service part.
- 19 Part Number.
- 20 To be defined.
- 21 Total **Quantity** of the Part referred to in the page.
The quantity can be replaced by the following indications:
AR = quantity as requested.
- 22 Part **Description**.
- 23 Variant Codes

TABLE OF CONTENTS

| | | |
|-----------|----|--|
| 05.100.03 | 01 | FILTER & CAPACITIES, 455C FIAT |
| 05.100.03 | 02 | FILTER & CAPACITIES, 455C FORD |
| 06A01 | | CYLINDER BLOCK, HEAD & RELATED PARTS |
| 06B01 | | CRANKSHAFT, FLYWHEEL & RELATED PARTS |
| 06C01 | | CAMSHAFT, ROCKER ARM, VALVES & RELATED PARTS |
| 06D01 | | PISTONS & CONNECTING RODS |
| 06E01 | | OIL PUMP & OIL PAN |
| 06F01 | | MANIFOLD & EXHAUST SYSTEM |
| 09A01 | | FUEL SYSTEM |
| 09A02 | | FUEL TANK & RELATED PARTS - (11-88/-) - 455C, 455D |
| 09B01 | | FUEL SEDIMENTER & FILTER ASSEMBLY |
| 09C02 | | FUEL INJECTION PUMP, DPA ROTOR, UPPER HALF - 455C, 455D |
| 09C03 | | FUEL INJECTION PUMP, DPA ROTARY, LOWER HALF - 455C, 455D |
| 09D01 | | FUEL INJECTOR ASSEMBLY (7-87/10-91) - 455, 455C |
| 09D02 | | FUEL INJECTOR ASSEMBLY (11-91/) - 455C, 455D |
| 09E01 | | DIESEL, COLD START |
| 09F02 | | THROTTLE & FOOT ACCELERATOR CONTROLS, (11-88/-), 455C & 455D |
| 09G01 | | AIR CLEANER ASSEMBLY |
| 07A01 | | TRANSMISSION CASE, GEARSHIFT LEVERS & RELATED PARTS: 6 X 4 MANUAL REVERSE TRANSMISSION, (7-87/11-88) - 455 |
| 07A02 | | TRANSMISSION GEARS & RELATED PARTS: 6 X 4 MANUAL REVERSE TRANSMISSION - (7-87/11-88) - 455 |
| 07A03 | | 13" SINGLE CLUTCH ASSEMBLY: 6 X 4 MANUAL REVERSE TRANSMISSION - (7-87/11-88) - 455 |
| 07A04 | | CLUTCH CONTROLS: 6 X 4 MANUAL REVERSE TRANSMISSION - (7-87/11-88) - 455 |
| 07A10 | | TRANSMISSION CASE - 4 X 4 - 455C, 455D |
| 07A20 | | TRANSMISSION CASE - 8 X 8 (18 X 8, W/CAB) - 455C, 455D |
| 07B01 | | TORQUE CONVERTER TRANSMISSION, 4 X 4 POWER REVERSE, W/SYNCHROMESH - (7-87/11-88) - 455 |
| 07B02 | | CLUTCH & GEARS: 4 X 4 POWER REVERSE, W/TORQUE CONVERTOR TRANSMISSION - (7-87/11-88) - 455 |
| 07B03 | | TORQUE CONVERTER, OIL DISTRIBUTOR, OIL PUMP: 4 X 4 POWER REVERSE TRANSMISSION - (7-87/11-88) - 455 |
| 07B04 | | TORQUE CONVERTER CONTROL LEVER: 4 X 4 POWER REVERSE TRANSMISSION - (7-87/11-88) - 455 |
| 07B05 | | OIL COOLER FILTER & TUBES: 4 X 4 POWER REVERSE W/TORQUE CONVERTER TRANSMISSION - (7-87/11-88) - 455 |
| 07B05A | | TRANSMISSION OIL COOLER, FILTER & TUBES (12-88/-) - 455C, 455D |
| 07B06 | | CONTROL VALVE, MANIFOLD & TUBES; 4 X 4 TORQUE CONVERTER TRANSMISSION - (7-87/11-88) - 455 |
| 07B07 | | TRANSMISSION PTO ASSEMBLY - (7-87/11-88) - 455 |
| 07B10 | | TRANSMISSION REAR COVER - 4 X 4 (14 X 4, W/CAB) - 455C, 455D |
| 07B20 | | TRANSMISSION REAR COVER - 8 X 8 (16 X 8, W/CAB) - 455C, 455D |
| 07C01 | | INDEPENDENT PTO ASSEMBLY - (12-88/-) - 455C, 455D |

TABLE OF CONTENTS

| | |
|--------|--|
| 07C10 | TRANSMISSION FRONT COVER, 4 X 4 (14 X 4, W/CAB) - 455C, 455D |
| 07C20 | TRANSMISSION FRONT COVER, 8 X 8 (18 X 8, W/CAB) - 455C, 455D |
| 07D01 | PTO CONTROL LINKAGE - (12-88/-) - 455C, 455D |
| 07D10 | TRANSMISSION VALVE HOUSING & VALVE, 4 X 4 - (14 X 4, W/CAB) - 455C, 455D |
| 07D20 | VALVE HOUSING & VALVE, 8 X 8 (18 X 8, W/CAB) - 455C, 455D |
| 07E10 | TRANSMISSION VALVE, TUBE & FITTINGS, 4 X 4, 8 X 8 - (18 X 8, W/CAB) - 455C, 455D |
| 07F10 | TRANSMISSION CLUTCH & INPUT SHAFT, 4 X 4 - (14 X 4, W/CAB) - 455C, 455D |
| 07F20 | TRANSMISSION CLUTCH & INPUT SHAFT, 8 X 8 - (18 X 8, W/CAB) - 455C, 455D |
| 07G10 | TRANSMISSION COUNTERSHAFT & GEARS, 4 X 4 (14 X 4, W/CAB) - 455C, 455D |
| 07G20 | TRANSMISSION PTO SHAFT & GEARS, 8 X 8 (18 X 8, W/CAB) - 455C, 455D |
| 07G30 | PTO COVER ASSEMBLY, W/8 X 8 TRANSMISSION - 455C, 455D |
| 07H10 | REVERSE IDLER SHAFT, 4 X 4 & 8 X 8 - (18 X 8, W/CAB) - 455C, 455D |
| 07J10 | TRANSMISSION OUTPUT SHAFT & GEARS, 4 X 4 (14 X 4, W/CAB) - 455C, 455D |
| 07J20 | TRANSMISSION OUTPUT SHAFT & GEARS, 8 X 8 (18 X 8, W/CAB) - 455C, 455D |
| 07K10 | SHIFT FORK & RAIL, 1 & 2, W/4 X 4 - (14 X 4, W/CAB) - 455C, 455D |
| 07K20 | SHIFT FORK & RAIL, 1 & 2, W/8 X 8 - (18 X 8, W/CAB) - 455C, 455D |
| 07L10 | SHIFT FORK & RAIL, 3 & 4, W/4 X 4 - (14 X 4, W/CAB) - 455C, 455D |
| 07L20 | HI & LOW SHIFT FORK & RAIL, 3 & 4, W/8 X 8 - (18 X 8, W/CAB) - 455C, 455D |
| 07M10 | TRANSMISSION SHIFT LEVER & DIPSTICK, W/4 X 4, (14 X 4, W/CAB), 455C & 455D |
| 07M20 | TRANSMISSION SHIFT LEVER & DIPSTICK, W/8 X 8, 455C & 455D |
| 07M30 | SHUTTLE SHIFT CONTROL - 455C, 455D |
| 08A01 | RADIATOR & RELATED PARTS |
| 08B01 | WATER PUMP & RELATED PARTS |
| 08C01 | WATER FILTER ASSEMBLY - 455C, 455D |
| 04A01 | REAR AXLE, DIFFERENTIAL CENTER HOUSING & RELATED PARTS |
| 04B01 | REAR AXLE, DIFFERENTIAL & RELATED PARTS |
| 04B02 | REAR AXLE RELATED PARTS W/FWD |
| 04C01 | DIFFERENTIAL LOCK LINKAGE |
| 02A01 | BRAKE & BRAKE CONTROLS - 455 |
| 02A02 | BRAKES & BRAKE CONTROLS, 455C & 455D |
| 02B01 | HANDBRAKE LEVER - 455 |
| 02B02 | HANDBRAKE, LOWER, W/TWIN CABLE - 455C, 455D |
| 11A02 | ELECTRICAL SYSTEM, 455C & 455D |
| 11A02A | ELECTRICAL SYSTEM, 455C & 455D |
| 11B03 | WORK LAMP ASSEMBLY, FRONT - (12-88/12-91) - 455C |
| 11B03A | WORKLAMP, FRONT (01-92/08-92), 455C & (09-92/), 455D |

TABLE OF CONTENTS

| | |
|--------|---|
| 11B04 | WORKLAMP, REAR (12-88/12-91), 455C |
| 11B04A | WORKLAMP, REAR (01-92/08-92),455C & (09-92/), 455D |
| 11B06 | LAMP ASSEMBLY, FLASHER & TURN SIGNAL - (12-88/-) - 455C & 455D |
| 11B08 | LAMP ASSEMBLY, REAR, THREE BULB - (12-88/) - 455C |
| 11B10 | LAMP ASSEMBLY, PLOUGH |
| 11C02 | BATTERY, TOOL BOX & STEP (12-88/08-92) - 455C & (9-92/-) - 455D |
| 11D01 | STARTING MOTOR ASSEMBLY, 5" DIAMETER |
| 11E03 | ALTERNATOR ASSEMBLY - (12-88/8-92) - 455C & (09-92/-) - 455D |
| 11F01 | STOP & TAILLIGHTS, D.I.A. |
| 11F02 | LAMP ASSEMBLY, LICENSE PLATE, D.I.A. |
| 11F03 | HORN ASSEMBLY, D.I.A. |
| 11F04 | ALARM ASSEMBLY, BACKUP D.I.A. |
| 03A01 | FRONT AXLE, POWER, STEERING & RELATED PARTS, 455 |
| 03A02 | FRONT AXLE & RELATED PARTS - 455C, 455D |
| 03A03 | STEERING HOSES & RELATED PARTS, (12-88/8-93), 455C & 455D |
| 03A04 | STEERING HOSES & RELATED PARTS, (9-93/), 455D |
| 03B01 | POWER STEERING MOTOR & COLUMN, 455 |
| 03B01A | STEERING MOTOR & COLUMN, (12-88/), 455C & 455D |
| 03C01 | POWER STEERING PUMP & RESERVOIR (7-87/11-88) |
| 03C01A | POWER STEERING PUMP & RESERVOIR, (12-88/5-90) - 455C |
| 03C01B | POWER STEERING PUMP & RESERVOIR, (6-90/8-92) - 455C & (9-92/-) - 455D |
| 03D01 | POWER STEERING CYLINDER ASSEMBLY - 455 |
| 03D02 | CYLINDER ASSEMBLY, POWER STEERING, L/FWD |
| 03D03 | CYLINDER & END ASSEMBLY, POWER STEERING, W/FWD - 455C, 455D |
| 03E01 | FRONT AXLE, FWD - 455 (1-88/) NH-E; (4-88/) NH-NA |
| 03E02 | DIFFERENTIAL BOX, FWD - 455 (1-88/) NH-E; (4-88/) NH-NA |
| 03E03 | DRIVESHAFTS, FWD - 455 (1-88/) NH-E; (4-88/) NH-NA |
| 03E04 | REDUCTION GEARS, FWD - 455 (1-88/) NH-E; (4-88/) NH-NA |
| 03E05 | STEERING ARMS, FWD - 455 (1-88/) NH-E; (4-88/) NH-NA |
| 03E06 | DRIVE SHAFTS & SHIELDS - 455 (1-88/) NH-E; (4-88/) NH-NA |
| 03E07 | TRANSFER CASE - 455 (1-88/) NH-E; (4-88/) NH-NA |
| 03E08 | FWD TRANSFER CASE CONTROLS - 455 (1-88/) NH-E; (4-88/) NH-NA |
| 03E09 | INTERNAL PARTS OF CENTER HOUSING, FWD - 455 (1-88/) NH-E; (4-88/) NH-NA |
| 03E10 | FRONT SUPPORT, FWD - 455 (1-88/) NH-E; (4-88/) NH-NA |
| 03F01 | FRONT AXLE - 455C, 455D |
| 03F02 | DIFFERENTIAL BOX - 455C, 455D |

TABLE OF CONTENTS

| | |
|--------|--|
| 03F03 | BEVEL GEAR & PINION SET |
| 03F04 | REDUCTION GEARS - 455C, 455D |
| 03F05 | STEERING ARMS & TIE ROD - 455C, 455D |
| 03F06 | DRIVE SHAFTS (Apr 1 2002 3:09PM) |
| 03F06 | DRIVE SHAFTS (Aug 31 1999 6:47AM) |
| 03F07 | TRANSMISSION SHAFT |
| 03F08 | GEAR BOX ASSEMBLY |
| 03F09 | FRONT SUPPORT - 455C, 455D |
| 03F10 | TRANSFER CASE CONTROLS |
| 05A01 | HYDRAULIC SYSTEMS & CONTROLS - 455 |
| 05A02 | HYDRAULIC SYSTEM, (12-88/8-93) - 455C, 455D |
| 05A02A | HYDRAULIC SYSTEM W/2-SPOOL VALVE - 455D |
| 05A02B | HYDRAULIC SYSTEM W/3-SPOOL VALVE - 455D |
| 05A03 | HYDRAULIC RESERVOIR, COOLER & PUMP DRIVE - (12-88/8-93) - 455C, 455D |
| 05A03A | HYDRAULIC RESERVOIR, COOLER & PUMP - (9-93/-) - 455D |
| 05A04 | HYDRAULIC CONTROLS, 455C & 455D |
| 05B01 | CONTROL VALVE ASSEMBLY, TWO SPOOL - 455 |
| 05B02 | LOADER CONTROL VALVE ASSEMBLY - 455C, 455D |
| 05B02A | LOADER CONTROL VALVE, THREE SPOOL - 455C, 455D |
| 05B03 | CONTROL VALVE SECTION, LIFT - 455C, 455D |
| 05B04 | CONTROL VALVE SECTION, BUCKET, 2 SPOOL VALVE - 455C, 455D |
| 05B04A | CONTROL VALVE SECTION, BUCKET, 3 SPOOL VALVE - 455C, 455D |
| 05B05 | CONTROL VALVE SECTION, AUXILIARY - 455C, 455D |
| 05C01 | FILTER ASSEMBLY, HYDRAULIC OIL - 455C, 455D |
| 05C02 | FILTER ASSEMBLY, HYDRAULIC OIL - 455 |
| 05D01 | HYDRAULIC PUMP ASSEMBLY |
| 05E01 | HYDRAULIC PUMP ASSEMBLY, GEAR TYPE, MOUNTING IN CENTER HOUSING - 455C, 455D, L/HYDRAULIC LIFT, W/8 X 8 TRANSMISSION |
| 14A01A | FENDERS & RELATED PARTS - 455C, 455D |
| 14B01A | ENGINE HOOD & GRILLE, 455C & 455D |
| 14C01A | SECURITY COVER, RADIATOR FILL - 455C, 455D |
| 01A01 | FRONT WHEEL ASSEMBLY |
| 01B01 | REAR WHEELS |
| 01C01 | REAR WHEEL WEIGHTS - 24" |
| 01C02 | FRONT END WEIGHTS - 455 |
| 01C03 | FRONT END & SIDE WEIGHT - 455C, 455D |
| 01C04 | REAR WHEEL WEIGHTS - 455C, 455D |

TABLE OF CONTENTS

| | |
|-------|--|
| 12A02 | INSTRUMENT CLUSTER ASSEMBLY & RELATED PARTS, SIDE - (12-88/08-92) - 455C & (09-92/-) - 455D |
| 12A03 | INSTRUMENT CLUSTER ASSEMBLY & RELATED PARTS, FRONT - (12-88/08-92) - 455C & (09-92/-) - 455D |
| 16E01 | DECALS - IDENTIFICATION - 455C (12-88/08-92) & 455D (09-92/-) |
| 16F01 | DECALS - TRACTOR - 455C (12-88/08-92) & 455D (09-92/-) |
| 16F02 | DECALS - TRACTOR - 455C (12-88/08-92) & 455D (09-92/-) |
| 16F03 | DECALS - SHIFT PATTERN - 455C (12-88/08-92) & 455D (09-92/-) |
| 16G01 | DECALS - LOADER - 455C (12-88/08-92) & 455D (09-92/-) |
| 16H01 | DECALS - BACKHOE - 455C (12-88/08-92) & 455D (09-92/-) |
| 16H02 | DECALS - BACKHOE - 455C (12-88/08-92) & 455D (09-92/-) |
| 15H01 | CAB FRAME & RELATED PARTS, 455C & 455D |
| 15J01 | TRIM, ROOF W/CAB FRAME & SUPPORT W/ROPS - 455C, 455D |
| 15K01 | INTERIOR TRIM - 455C, 455D |
| 15L01 | SIDE CONSOLE - 455C, 455D |
| 15M01 | HEATER ASSEMBLY - 455C, 455D |
| 15N01 | FLOOR PANEL & MATS - 455C, 455D |
| 15P01 | DOOR FRAME & RELATED PARTS - 455C, 455D |
| 15P02 | HANDLE TRIM, BODY SIDE DOOR - 455C, 455D |
| 15R01 | REAR WINDOW, UPPER, 455C & 455D |
| 15R02 | WINDOW - BODY SIDE - UPPER - 455C, 455D |
| 15R03 | WINDOW - BODY SIDE - UPPER - 455C, 455D |
| 15R04 | GLASS - BODY SIDE, WINDSHIELD, REAR LOWER - 455C, 455D |
| 15S01 | WINDSHIELD WIPER MOTORS - FRONT & REAR - 455C, 455D |
| 15T01 | ROOF HARNESS - W/CAB - 455C, 455D |
| 15U01 | WINDOW HANDLE - 455C, 455D |
| 13C01 | SEAT, STATIONARY - 455C, 455D |
| 13D01 | SEAT, SUSPENSION, 455C & 455D |
| 17A01 | PAINT |
| 17B01 | LUBRICANTS, LUBRICATION EQUIPMENT |
| 17B02 | FIRE EXTINGUISHER KIT |
| 17C01 | ENGINE COOLANT HEATER KITS |
| 17D01 | SAFETY EMBLEM |
| 17D02 | RADIO, PUSHBUTTON |
| 17E01 | MIRROR ASSEMBLY - REAR VIEW - L/CAB - D.I.A. |
| 18A02 | SUBFRAME ASSEMBLY - 455C, 455D |
| 18B02 | LIFT ARM & LINKAGE - 455C, 455D |
| 18C01 | BUCKET LEVEL INDICATOR - 455C, 455D |

TABLE OF CONTENTS

| | |
|--------|--|
| 18D02 | HYDRAULIC LINES & HOSES, 455C & 455D |
| 18E02 | LIFT CYLINDER ASSEMBLY - 455C, 455D |
| 18E04 | BUCKET CYLINDER ASSEMBLY - 455C, 455D |
| 18F02 | BUCKET ASSEMBLY - 455C, 455D |
| 18G01 | COUNTERWEIGHT, REAR |
| 18G02 | KIT SERVICE POINT TOOTH 23 SERIES |
| 20A02 | MAIN FRAME ASSEMBLY & RELATED PARTS - 455C, 455D |
| 20A03 | RAIL ASSEMBLY & ATTACHING PARTS |
| 20B01 | SWING POST & RELATED PARTS |
| 20C02 | CONTROL PARTS, TWO-LEVER, 455C & 455D |
| 20C03 | KIT - TWO LEVER TO THREE LEVER CONVERSION, L/HEAD - 455C, 455D |
| 20C04 | KIT - TWO LEVER TO THREE LEVER CONVERSION, W/HEAD - 455C, 455D |
| 20C05 | KIT - TWO LEVER TO FOUR LEVER CONVERSION - 455C, 455D |
| 20C07 | FOOT CONTROL, EXTENDABLE DIPSTICK, 455C & 445D |
| 20D02 | SHROUD ASSEMBLY & RELATED PARTS - TWO LEVER, (12-88/-) - 455C |
| 20E03 | HOSE & RELATED PARTS, 2-LEVER, 455C & 455D |
| 20F02 | BOOM ASSEMBLY & RELATED PARTS, L/HED - 455C,455D |
| 20F02A | DIPSTICK ASSEMBLY & RELATED PARTS, L/HED - 455C,455D |
| 20F04 | BOOM & DIPSTICK ASSEMBLY & RELATED PARTS, W/HED - 455C, 455D |
| 20F04A | BOOM, DIPSTICK\ & RELATED PARTS, W/HED, 455C & 455D |
| 20G02 | LIFT CYLINDER ASSEMBLY |
| 20G04 | CROWD CYLINDER ASSEMBLY - 455C, 455D |
| 20G06 | BUCKET CYLINDER ASSEMBLY |
| 20G08 | EXTENDABLE DIPSTICK CYLINDER ASSEMBLY - 455C, 455D |
| 20G10 | STABILIZER CYLINDER ASSEMBLY - 455C, 455D |
| 20G12 | SWING CYLINDER ASSEMBLY - 455C, 455D |
| 20H02 | CONTROL VALVE, L/HED - 455C, 455D |
| 20H04 | CONTROL VALVE, W/HED - 455C, 455D |
| 20J01 | STABILIZER PADS |
| 20J02 | REVERSIBLE STABILIZER PAD, OPTIONAL - 455C, 455D |
| 20K04 | BUCKET ASSEMBLIES, GENERAL PURPOSE - 455C, 455D |
| 20K05 | BUCKET ASSEMBLIES, HIGH CAPACITY - 455C, 455D |

SECTION INDEX

GENERAL

| | | |
|-----------|----|--------------------------------|
| 05.100.03 | 01 | FILTER & CAPACITIES, 455C FIAT |
| 05.100.03 | 02 | FILTER & CAPACITIES, 455C FORD |

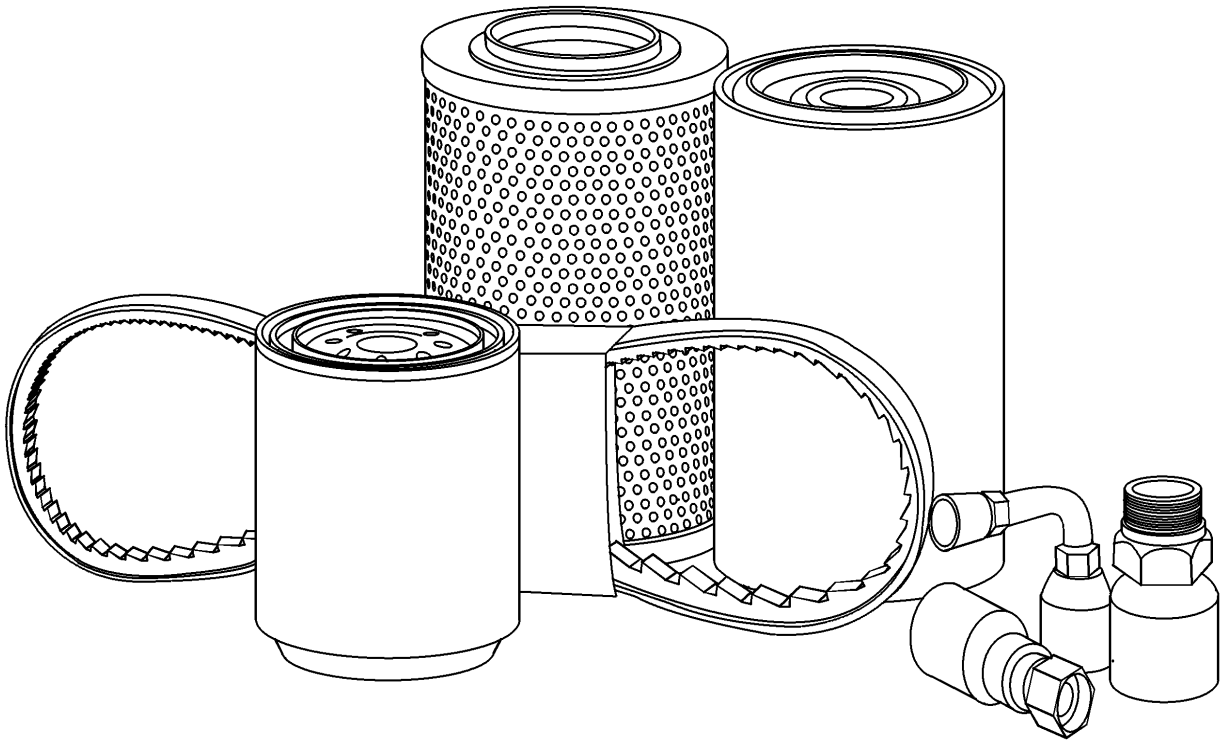
05.100.03

01

p1

10/201
7

FILTER & CAPACITIES, 455C FIAT



FILTER & CAPACITIES, 455C FIAT

| REF FN | PART NUMBER | YR/SN | QTY DESCRIPTION |
|--------|-----------------|-------|--|
| * | CNH XHD COOLANT | | ANTIFREEZE Coolant, 2.8-Gal (10.4L) |
| 1 | 1909102 | | 1 ENGINE OIL FILTER |
| * | M-GOLD SAE15W40 | | OIL Engine, 15W40, W/o Filter, 12-PT (5.7L) |
| * | M-GOLD SAE15W40 | | OIL Engine, 7-QT (6.6L), W/ Filter |
| 2 | 4963663 | | 1 ELEMENT Oil Bath |
| 3 | 1909134 | | 1 HYDRAULIC OIL FILTER |
| * | MULTI G 134 | | OIL Hydraulics, Multi G 134, 8.7-Gal (32.9L), W/ LDR |
| * | MULTI G 134 | | OIL Hydraulics, 22-Gal (83.3L), W/ LDR-BH |
| * | MULTI G 134 | | OIL Transmission, Multi G 134, 4.8-Gal (18.2L) |
| 4 | 1909100 | | 1 FUEL FILTER Fuel |
| * | MULTI G 134 | | OIL Rear Axle, Multi G 134, 8.5-Gal (32.2L), W/o PTO |
| * | MULTI G 134 | | OIL Rear Axle, 12-Gal (45.4L), W/ PTO |
| * | MULTI G 134 | | OIL Front Axle & Differential Case, Multi G 134, 6.8-QT (6.4L) |
| * | MULTI G 134 | | OIL Front Axle & Differential Case, 2.1-PT (1.0L), Per Hub |
| * | MULTI G 134 | | OIL Power Steering, Multi G 134, 2-QT (1.9L), Reservoir |

455C-3 CYL TRACTOR LOADER BACKHOE

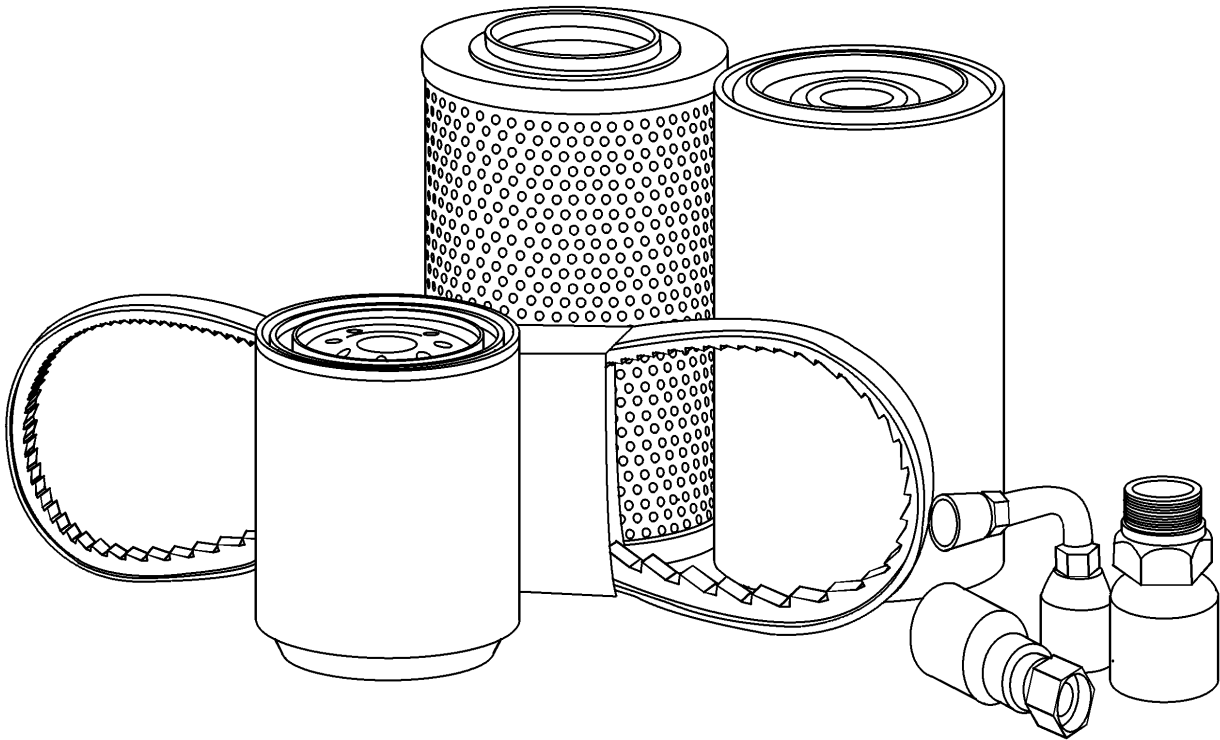
05.100.03

02

p1

10/201
7

FILTER & CAPACITIES, 455C FORD



FILTER & CAPACITIES, 455C FORD

| REF FN | PART NUMBER | YR/SN | QTY DESCRIPTION |
|--------|-----------------|-------|---|
| 1 | E8NN8A424BB | | 1 FILTER Water Spin On |
| * | CNH XHD COOLANT | | ANTIFREEZE Coolant, 2.8-Gal (10.4L) |
| 2 | 86546614 | | 1 ENGINE OIL FILTER |
| * | M-GOLD SAE15W40 | | OIL Engine, 7-QT (6.6L), W/ Filter |
| * | M-GOLD SAE15W40 | | OIL Engine, 15W40, W/o Filter, 12-PT (5.7L) |
| 3 | E9NN9601AA | | 1 AIR FILTER 95.25mm ID x 169.9mm OD x 384.1mm L Primary |
| 4 | D1NN9R500A | | 1 AIR FILTER 74.7mm ID x 93.7mm OD x 352.55mm L Secondary |
| 5 | E8NNF882BA | | 1 FILTER Hydraulic |
| 6 | E7NN6714FA | | 1 HYDRAULIC OIL FILTER Torque Converter |
| * | MULTI G 134 | | OIL Hydraulics, Multi G 134, 8.7-Gal (32.9L), W/ LDR |
| * | MULTI G 134 | | OIL Hydraulics, 22-Gal (83.3L), W/ LDR-BH |
| * | MULTI G 134 | | OIL Transmission, Multi G 134, 4.8-Gal (18.2L) |
| 7 | 83937061 | | 1 FUEL FILTER |
| 8 | 83916922 | | 1 ELEMENT Sediment |
| 9 | 87802202 | | 1 FUEL FILTER |
| * | MULTI G 134 | | OIL Rear Axle, Multi G 134, 8.5-Gal (32.2L), W/o PTO |
| * | MULTI G 134 | | OIL Rear Axle, 12-Gal (45.4L), W/ PTO |
| * | MULTI G 134 | | OIL Front Axle & Differential Case, Multi G 134, 6.8-QT (6.4L) |
| * | MULTI G 134 | | OIL Front Axle & Differential Case, 2.1-PT (1.0L), Per Hub |
| * | MULTI G 134 | | OIL Power Steering, Multi G 134, 2-QT (1.9L), Reservoir |

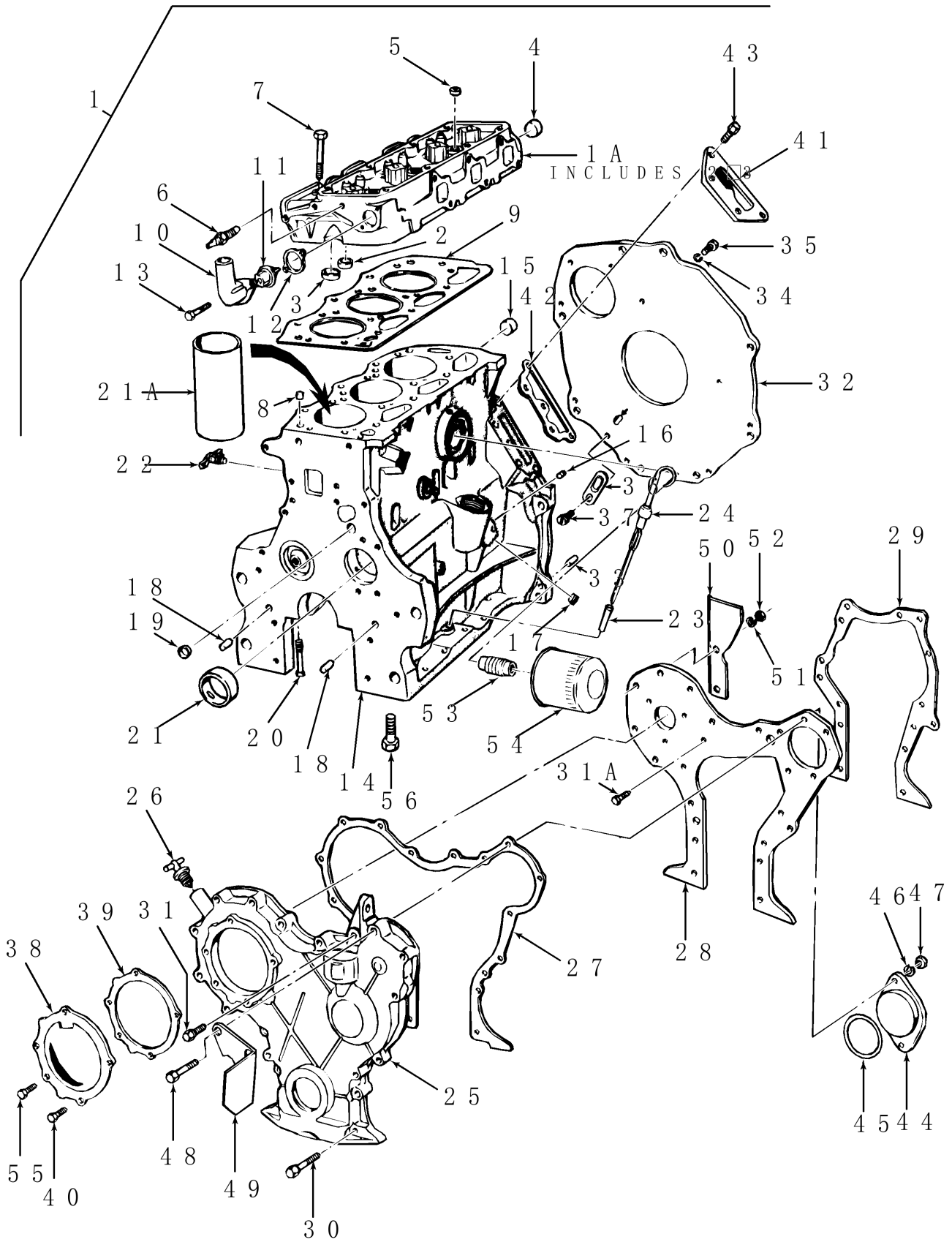
455C-3 CYL TRACTOR LOADER BACKHOE

SECTION INDEX

ENGINE

| | |
|-------|--|
| 06A01 | CYLINDER BLOCK, HEAD & RELATED PARTS |
| 06B01 | CRANKSHAFT, FLYWHEEL & RELATED PARTS |
| 06C01 | CAMSHAFT, ROCKER ARM, VALVES & RELATED PARTS |
| 06D01 | PISTONS & CONNECTING RODS |
| 06E01 | OIL PUMP & OIL PAN |
| 06F01 | MANIFOLD & EXHAUST SYSTEM |

CYLINDER BLOCK, HEAD & RELATED PARTS



CYLINDER BLOCK, HEAD & RELATED PARTS

| REF FN | PART NUMBER | YR/SN | QTY DESCRIPTION |
|--------|---------------------------|-------|---|
| . | ^{1,2} {. | . | . |
| . | 9673709DS | | 1 REMAN-BASIC ENGINE |
| . | ^{3,4,5} 9673709C | | 1 CORE-BASIC ENGINE Return Part Number |
| . | 9673710DS | | 1 REMAN-BASIC ENGINE 455 5/88 - 12/88, 455C 89 - 96, 455D 89 - 96 - Dose Not Include Thermostat |
| . | 9673710C | | 1 CORE-BASIC ENGINE Return Part Number |
| 1 | E6NN6009LB | | 1 SHORT ENGINE Block Assy., Short, 455 |
| 1 | E6NN6009LBR | | 1 REMAN-SHORT ENGINE Remanufactured, Block Assy., Short, 455 |
| 1 | E6NN6009LBC | | 1 CORE-SHORT ENGINE ReReturn Part Number, Block Assy., Short, 455 |
| 1 | ⁶ E6NN6009LC | | 1 SHORT ENGINE Block Assy., Short |
| 1 | E6NN6009LCC | | 1 CORE-SHORT ENGINE Return Part Number, Block Assy., Short, 455C, 455D |
| 1 | 84227816R | | 1 REMAN-SHORT ENGINE For 455C & 455D, Replacing New P/N E6NN6009LC |
| 1 | 84227816C | | 1 CORE-SHORT ENGINE Return Part Number |
| 1 | 81869944 | | 1 KIT Kit for 84227816R -- Studs, Nuts and Washers |
| 1 | 83961338C | | 1 CORE-SHORT ENGINE Return Part Number, Block Assy., Short |

- (1) Eng. Inc.: Short Bck., Complete Cyl. Head w/Valve Cover, Front Timing Cover, Water &
(2) Oil Pmps, Oil Pan, Thermostat, Oil Press. Reg. Valve, Install. Gasket Package, N.A. Only
(3) 3 Cyl. Nat. Aspirated, 201 CID w/ 9/16 Head Bolts & DPA Inj. Pmp.
(4) Includes: Short Bck., Complete Cyl. Head w/Valve Cover, Front Timing Cover, Water & Oil Pmps
(5) Oil Pan, Thermostat, Oil Press. Reg. Valve, Installation Gasket Package, N.A. Only.
(6) Also order P/N FP575 Stud Kit

455C-3 CYL TRACTOR LOADER BACKHOE

**Thanks very much for your reading,
Want to get more information,
Please click here, Then get the complete
manual**

JustClickHere 

NOTE:

**If there is no response to click on the link above,
please download the PDF document first, and then
click on it.**

**Have any questions please write to me:
admin@servicemanualperfect.com**